

HOOD  
DAVLUMBAZ


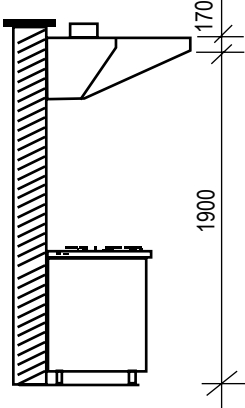



HOOD  
DAVLUMBAZ



🇹🇷 Made of AISI304 18/10 Cr-Ni type of stainless steel.  
Installed on the wall by using special screws or on the ceiling by steel chain.

🇹🇷 AISI304 18/10 Cr-Ni kalite paslanmaz çelikten üretilmiştir.  
Davlımbazlar tavana özel çelik zincir ile, duvara ise dübellerle monte edilir.

DESCRIPTION	EAN NO	MODEL	DIMENSION mm	GROSS kg	GROSS m <sup>3</sup>	FILTER	EXHAUST	EURO
<b>HOOD</b> Wall type • Snack Type With Flameguard Filters  <b>DAVLUMBAZ</b> Duvar Tip • Snack tip Alevsavar Filtreli      	8699234434075	<b>HHF100A</b>	1000x700x500	28	0,38	2x40	<b>1K</b>	<b>483</b>
	8699234434082	<b>HHF125A</b>	1250x700x500	33	0,48	2x50	<b>1K</b>	<b>573</b>
	8699234434099	<b>HHF150A</b>	1500x700x500	37	0,57	3x50	<b>1K</b>	<b>621</b>
	8699234434679	<b>HHF200A</b>	2000x700x500	47	0,76	3x50	<b>1K</b>	<b>718</b>
	8699234434112	<b>HHF250A</b>	2500x700x500	57	0,94	4x50	<b>1K</b>	<b>869</b>
	8699234434129	<b>HHF300A</b>	3000x700x500	66	1,13	5x50	<b>2K</b>	<b>1.019</b>
	8699234434136	<b>HHF350A</b>	3500x700x500	74	1,32	5x50	<b>2K</b>	<b>1.129</b>
	8699234434143	<b>HHF400A</b>	4000x700x500	84	1,51	6x50	<b>2K</b>	<b>1.281</b>
	8699234434150	<b>HHF450A</b>	4500x700x500	94	1,69	7x50	<b>2K</b>	<b>1.451</b>
	8699234434167	<b>HHF500A</b>	5000x700x500	105	1,88	8x50	<b>2K</b>	<b>1.606</b>
	8699234434266	<b>HHF100B</b>	1000x900x500	32	0,49	2x40	<b>1K</b>	<b>527</b>
	8699234434273	<b>HHF125B</b>	1250x900x500	37	0,61	2x50	<b>1K</b>	<b>570</b>
	8699234434280	<b>HHF150B</b>	1500x900x500	42	0,73	3x40	<b>1K</b>	<b>633</b>
	8699234434297	<b>HHF200B</b>	2000x900x500	52	0,97	3x50	<b>1K</b>	<b>794</b>
	8699234434303	<b>HHF250B</b>	2500x900x500	63	1,21	4x50	<b>1K</b>	<b>957</b>
	8699234434310	<b>HHF300B</b>	3000x900x500	73	1,44	5x50	<b>2K</b>	<b>1.250</b>
	8699234434327	<b>HHF350B</b>	3500x900x500	83	1,68	5x50	<b>2K</b>	<b>1.470</b>
	8699234434334	<b>HHF400B</b>	4000x900x500	93	1,92	6x50	<b>2K</b>	<b>1.650</b>
	8699234434341	<b>HHF450B</b>	4500x900x500	103	2,16	7x50	<b>2K</b>	<b>1.800</b>
	8699234434358	<b>HHF500B</b>	5000x900x500	115	2,40	8x50	<b>2K</b>	<b>1.950</b>
	8699234434457	<b>HHF125C</b>	1250x1100x500	42	0,74	2x50	<b>1K</b>	<b>681</b>
	8699234434464	<b>HHF150C</b>	1500x1100x500	47	0,89	3x50	<b>1K</b>	<b>741</b>
	8699234434471	<b>HHF200C</b>	2000x1100x500	58	1,18	3x50	<b>1K</b>	<b>872</b>
	8699234434488	<b>HHF250C</b>	2500x1100x500	69	1,47	4x50	<b>1K</b>	<b>1.044</b>
	8699234434495	<b>HHF300C</b>	3000x1100x500	27	1,76	5x50	<b>2K</b>	<b>1.217</b>
	8699234434501	<b>HHF350C</b>	3500x1100x500	90	2,05	5x50	<b>2K</b>	<b>1.350</b>
	8699234434518	<b>HHF400C</b>	4000x1100x500	101	2,34	6x50	<b>2K</b>	<b>1.523</b>
	8699234434525	<b>HHF450C</b>	4500x1100x500	110	2,63	7x50	<b>2K</b>	<b>1.698</b>
	8699234434532	<b>HHF500C</b>	5000x1100x500	121	2,92	8x50	<b>2K</b>	<b>1.874</b>
	8699234434549	<b>HHF600C</b>	6000x1100x500	140	3,51	9x50	<b>2K</b>	<b>2.227</b>

DESCRIPTION	MODEL	DIMENSION mm
<b>EXHAUST</b>	<b>K</b>	400x300
<b>BACA</b>	<b>B</b>	500x400

# HOOD DAVLUMBAZ



Made of AISI304 18/10 Cr-Ni type of stainless steel.  
Installed on the wall by using special screws or on the ceiling by steel chain.

AISI304 18/10 Cr-Ni kalite paslanmaz çelikten üretilmiştir.  
Davlumbazlar tavana özel çelik zincir ile, duvara ise dübellerle monte edilir.

DESCRIPTION	EAN NO	MODEL	DIMENSION mm	GROSS kg	GROSS m <sup>3</sup>	FILTER	EXHAUST	LIGHTING	EURO
<b>HOOD</b> Wall type • Snack Type With Flameguard Filters and lighting	8699234447051	HHF100AL	1000x700x500	28	0,38	2x40	1K	LM1	575
	8699234447068	HHF125AL	1250x700x500	33	0,48	2x50	1K	LM1	665
	8699234447075	HHF150AL	1500x700x500	37	0,57	3x50	1K	LM2	759
	8699234447082	HHF200AL	2000x700x500	47	0,76	3x50	1K	LM2	856
	8699234447099	HHF250AL	2500x700x500	57	0,94	4x50	1K	LM3	1.053
	8699234447105	HHF300AL	3000x700x500	66	1,13	5x50	2K	LM3	1.203
	8699234447112	HHF350AL	3500x700x500	74	1,32	5x50	2K	LM4	1.405
	8699234447129	HHF400AL	4000x700x500	84	1,51	6x50	2K	LM4	1.557
	8699234447136	HHF450AL	4500x700x500	94	1,69	7x50	2K	LM4	1.727
	8699234447143	HHF500AL	5000x700x500	105	1,88	8x50	2K	LM4	1.882
<b>DAVLUMBAZ</b> Duvar Tip • Snack tip Alevsavar Filtreli • Aydınlatmalı	8699234447150	HHF100BL	1000x900x500	32	0,49	2x40	1K	LM1	619
	8699234447167	HHF125BL	1250x900x500	37	0,61	2x50	1K	LM1	662
	8699234447174	HHF150BL	1500x900x500	42	0,73	3x40	1K	LM2	771
	8699234447181	HHF200BL	2000x900x500	52	0,97	3x50	1K	LM2	932
	8699234447198	HHF250BL	2500x900x500	63	1,21	4x50	1K	LM3	1.141
	8699234447204	HHF300BL	3000x900x500	73	1,44	5x50	2K	LM3	1.434
	8699234447211	HHF350BL	3500x900x500	83	1,68	5x50	2K	LM4	1.746
	8699234447228	HHF400BL	4000x900x500	93	1,92	6x50	2K	LM4	1.926
	8699234447235	HHF450BL	4500x900x500	103	2,16	7x50	2K	LM4	2.076
	8699234447242	HHF500BL	5000x900x500	115	2,40	8x50	2K	LM4	2.226
	8699234447259	HHF125CL	1250x1100x500	42	0,74	2x50	1K	LM1	773
	8699234447266	HHF150CL	1500x1100x500	47	0,89	3x50	1K	LM2	879
	8699234447273	HHF200CL	2000x1100x500	58	1,18	3x50	1K	LM2	1.010
	8699234447280	HHF250CL	2500x1100x500	69	1,47	4x50	1K	LM3	1.228
	8699234447297	HHF300CL	3000x1100x500	27	1,76	5x50	2K	LM3	1.401
	8699234447303	HHF350CL	3500x1100x500	90	2,05	5x50	2K	LM4	1.626
	8699234447310	HHF400CL	4000x1100x500	101	2,34	6x50	2K	LM4	1.799
	8699234447327	HHF450CL	4500x1100x500	110	2,63	7x50	2K	LM4	1.974
	8699234447334	HHF500CL	5000x1100x500	121	2,92	8x50	2K	LM4	2.150
	8699234447341	HHF600CL	6000x1100x500	140	3,51	9x50	2K	LM4	2.503

DESCRIPTION	MODEL	DIMENSION mm
<b>EXHAUST</b>	K	400x300
<b>BACA</b>	B	500x400

DESCRIPTION	POWER W	MODEL	DIMENSION mm
<b>LIGHTING</b> <b>AYDINLATMA</b>	1x18 W	LM1	1000-1500
	2x18 W	LM2	2000-2500
	3x18 W	LM3	3000-3500
	4x18 W	LM4	4000-5000



☐ Made of AISI304 18/10 Cr-Ni type of stainless steel.  
Installed on the wall by using special screws or on the ceiling by steel chain.

☐ AISI304 18/10 Cr-Ni kalite paslanmaz çelikten üretilmiştir.  
Davlımbazlar tavana özel çelik zincir ile, duvara ise dübellerle monte edilir.

DESCRIPTION	EAN NO	MODEL	DIMENSION mm	GROSS kg	GROSS m <sup>3</sup>	EXHAUST	EURO
<b>HOOD</b> Wall Type • Snack Type • Without Filters	8699234432613	HH100A	1000x700x500	25	0,38	1K	382
	8699234432620	HH125A	1250x700x500	29	0,48	1K	439
	8699234432637	HH150A	1500x700x500	33	0,57	1K	495
	8699234432644	HH200A	2000x700x500	40	0,76	1K	607
	8699234432651	HH250A	2500x700x500	48	0,94	1K	720
	8699234432668	HH300A	3000x700x500	57	1,13	2K	835
	8699234432675	HH350A	3500x700x500	65	1,32	2K	948
	8699234432682	HH400A	4000x700x500	72	1,51	2K	1.060
	8699234432705	HH500A	5000x700x500	87	1,88	2K	1.279
	<b>DAVLUMBAZ</b> Duvar Tip • Snack tip • Filtresiz	8699234432767	HH100B	1000x900x500	29	0,49	1K
8699234432774		HH125B	1250x900x500	33	0,61	1K	501
8699234432781		HH150B	1500x900x500	37	0,73	1K	564
8699234432798		HH200B	2000x900x500	46	0,97	1K	690
8699234432804		HH250B	2500x900x500	55	1,21	1K	814
8699234432811		HH300B	3000x900x500	63	1,44	2K	938
8699234432828		HH350B	3500x900x500	72	1,68	2K	1.063
8699234432835		HH400B	4000x900x500	80	1,92	2K	1.187
8699234432859		HH500B	5000x900x500	96	2,40	2K	1.428
		8699234432927	HH125C	1250x1100x500	38	0,74	1K
	8699234432934	HH150C	1500x1100x500	42	0,89	1K	635
	8699234432941	HH200C	2000x1100x500	52	1,18	1K	771
	8699234432958	HH250C	2500x1100x500	62	1,47	1K	906
	8699234432965	HH300C	3000x1100x500	70	1,76	2K	1.042
	8699234432972	HH350C	3500x1100x500	80	2,05	2K	1.180
	8699234432989	HH400C	4000x1100x500	90	2,34	2K	1.316
	8699234433009	HH500C	5000x1100x500	100	2,92	2K	1.577


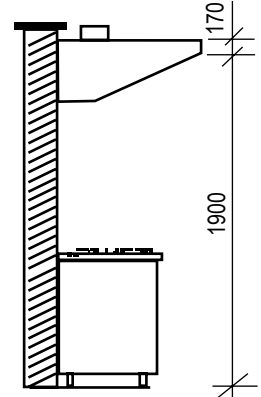

DESCRIPTION	MODEL	DIMENSION mm
<b>EXHAUST</b>	<b>K</b>	400x300
<b>BACA</b>	<b>B</b>	500x400

# HOOD DAVLUMBAZ



Made of AISI304 18/10 Cr-Ni type of stainless steel.  
Installed on the wall by using special screws or on the ceiling by steel chain.

AISI304 18/10 Cr-Ni kalite paslanmaz çelikten üretilmiştir.  
Davlumbazlar tavana özel çelik zincir ile, duvara ise dübellerle monte edilir.

DESCRIPTION	EAN NO	MODEL	DIMENSION mm	GROSS kg	GROSS m <sup>3</sup>	EXHAUST	LIGHTING	EURO
<b>HOOD</b> Wall Type • Snack Type • Without Filters with lighting  <b>DAVLUMBAZ</b> Duvar Tip • Snack tip • Filtresiz • Aydınlatmalı    	8699234447983	HH100AL	1000x700x500	25	0,38	1K	LM1	474
	8699234447990	HH125AL	1250x700x500	29	0,48	1K	LM1	513
	8699234448003	HH150AL	1500x700x500	33	0,57	1K	LM2	633
	8699234448010	HH200AL	2000x700x500	40	0,76	1K	LM2	745
	8699234448027	HH250AL	2500x700x500	48	0,94	1K	LM3	904
	8699234448034	HH300AL	3000x700x500	57	1,13	2K	LM3	1.019
	8699234448041	HH350AL	3500x700x500	65	1,32	2K	LM4	1.224
	8699234448058	HH400AL	4000x700x500	72	1,51	2K	LM4	1.336
	8699234448072	HH500AL	5000x700x500	87	1,88	2K	LM4	1.555
	8699234448089	HH100BL	1000x900x500	29	0,49	1K	LM1	513
	8699234448096	HH125BL	1250x900x500	33	0,61	1K	LM1	593
	8699234448102	HH150BL	1500x900x500	37	0,73	1K	LM2	702
	8699234448119	HH200BL	2000x900x500	46	0,97	1K	LM2	828
	8699234448126	HH250BL	2500x900x500	55	1,21	1K	LM3	998
	8699234448133	HH300BL	3000x900x500	63	1,44	2K	LM3	1.122
	8699234448140	HH350BL	3500x900x500	72	1,68	2K	LM4	1.339
	8699234448157	HH400BL	4000x900x500	80	1,92	2K	LM4	1.463
	8699234448171	HH500BL	5000x900x500	96	2,40	2K	LM4	1.704
	8699234448195	HH125CL	1250x1100x500	38	0,74	1K	LM1	658
	8699234448201	HH150CL	1500x1100x500	42	0,89	1K	LM2	773
	8699234448218	HH200CL	2000x1100x500	52	1,18	1K	LM2	909
	8699234448225	HH250CL	2500x1100x500	62	1,47	1K	LM3	1.090
	8699234448232	HH300CL	3000x1100x500	70	1,76	2K	LM3	1.226
	8699234448249	HH350CL	3500x1100x500	80	2,05	2K	LM4	1.456
	8699234448256	HH400CL	4000x1100x500	90	2,34	2K	LM4	1.592
	8699234448270	HH500CL	5000x1100x500	100	2,92	2K	LM4	1.853


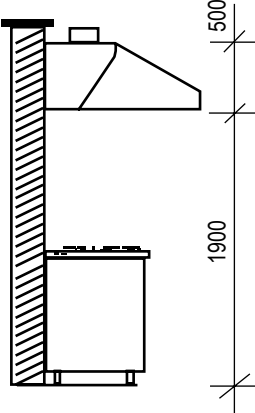

DESCRIPTION	MODEL	DIMENSION mm
EXHAUST	K	400x300
BACA	B	500x400

DESCRIPTION	POWER W	MODEL	DIMENSION mm
LIGHTING AYDINLATMA	1x18 W	LM1	1000-1500
	2x18 W	LM2	2000-2500
	3x18 W	LM3	3000-3500
	4x18 W	LM4	4000-5000



🇹🇷 Made of AISI304 18/10 Cr-Ni type of stainless steel.  
Installed on the wall by using special screws or on the ceiling by steel chain.

🇹🇷 AISI304 18/10 Cr-Ni kalite paslanmaz çelikten üretilmiştir.  
Davlumbazlar tavana özel çelik zincir ile, duvara ise dübellere monte edilir.

DESCRIPTION	EAN NO	MODEL	DIMENSION mm	GROSS kg	GROSS m³	FILTER	EXHAUST	EURO
<b>HOOD</b> Wall Type • Blok Type With Flameguard Filters	8699234434648	<b>HKF100</b>	1000x900x500	30	0,49	2x40	<b>1K</b>	<b>622</b>
	8699234434655	<b>HKF125</b>	1250x900x500	34	0,61	2x50	<b>1K</b>	<b>702</b>
	8699234434662	<b>HKF150</b>	1500x900x500	38	0,73	3x50	<b>1K</b>	<b>740</b>
	8699234434679	<b>HKF200</b>	2000x900x500	48	0,97	3x50	<b>1K</b>	<b>860</b>
	8699234434686	<b>HKF250</b>	2500x900x500	58	1,21	4x50	<b>1K</b>	<b>990</b>
	8699234434693	<b>HKF300</b>	3000x900x500	68	1,44	5x50	<b>2K</b>	<b>1.118</b>
	8699234434709	<b>HKF350</b>	3500x900x500	75	1,68	5x50	<b>2K</b>	<b>1.240</b>
	8699234434716	<b>HKF400</b>	4000x900x500	85	1,92	6x50	<b>2K</b>	<b>1.401</b>
	8699234434723	<b>HKF450</b>	4500x900x500	95	2,16	7x50	<b>2K</b>	<b>1.574</b>
	8699234434730	<b>HKF500</b>	5000x900x500	105	2,40	8x50	<b>2K</b>	<b>1.740</b>
<b>DAVLUMBAZ</b> Duvar Tip • Blok tip Alevsavar Filtreli	8699234434839	<b>HLF125</b>	1250x1100x500	39	0,74	2x50	<b>1K</b>	<b>745</b>
	8699234434846	<b>HLF150</b>	1500x1100x500	44	0,89	3x40	<b>1K</b>	<b>790</b>
	8699234434853	<b>HLF200</b>	2000x1100x500	54	1,18	3x50	<b>1K</b>	<b>916</b>
	8699234434860	<b>HLF250</b>	2500x1100x500	64	1,47	4x50	<b>1K</b>	<b>1.044</b>
	8699234434877	<b>HLF300</b>	3000x1100x500	75	1,76	5x50	<b>2K</b>	<b>1.217</b>
	8699234434884	<b>HLF350</b>	3500x1100x500	84	2,05	5x50	<b>2K</b>	<b>1.350</b>
	8699234434891	<b>HLF400</b>	4000x1100x500	95	2,34	6x50	<b>2K</b>	<b>1.523</b>
	8699234434907	<b>HLF450</b>	4500x1100x500	106	2,63	7x50	<b>2K</b>	<b>1.745</b>
	8699234434914	<b>HLF500</b>	5000x1100x500	116	2,92	8x50	<b>2K</b>	<b>1.926</b>
	8699234434921	<b>HLF600</b>	6000x1100x500	140	3,51	9x50	<b>2K</b>	<b>2.288</b>
  	8699234435027	<b>HMF125</b>	1250x1400x500	44	0,94	2x50	<b>1K</b>	<b>771</b>
	8699234435034	<b>HMF150</b>	1500x1400x500	49	1,12	3x50	<b>1K</b>	<b>798</b>
	8699234435041	<b>HMF200</b>	2000x1400x500	60	1,49	3x50	<b>1K</b>	<b>987</b>
	8699234435058	<b>HMF250</b>	2500x1400x500	72	1,86	4x50	<b>1K</b>	<b>1.175</b>
	8699234435065	<b>HMF300</b>	3000x1400x500	83	2,23	5x50	<b>2K</b>	<b>1.364</b>
	8699234435072	<b>HMF350</b>	3500x1400x500	93	2,60	5x50	<b>2K</b>	<b>1.513</b>
	8699234435089	<b>HMF400</b>	4000x1400x500	105	2,97	6x50	<b>2K</b>	<b>1.702</b>
	8699234435096	<b>HMF450</b>	4500x1400x500	117	3,34	7x50	<b>2K</b>	<b>1.987</b>
	8699234435102	<b>HMF500</b>	5000x1400x500	129	3,71	8x50	<b>2K</b>	<b>2.190</b>
	8699234435119	<b>HMF600</b>	6000x1400x500	153	4,45	9x50	<b>2K</b>	<b>2.595</b>

DESCRIPTION	MODEL	DIMENSION mm
<b>EXHAUST</b>	<b>K</b>	400x300
<b>BACA</b>	<b>B</b>	500x400

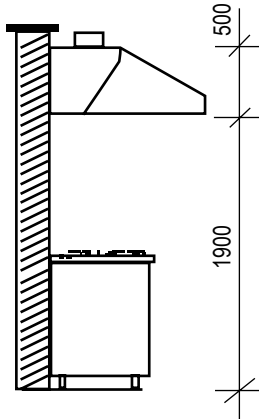
# HOOD DAVLUMBAZ



Made of AISI304 18/10 Cr-Ni type of stainless steel.  
Installed on the wall by using special screws or on the ceiling by steel chain.

AISI304 18/10 Cr-Ni kalite paslanmaz çelikten üretilmiştir.  
Davlumbazlar tavana özel çelik zincir ile, duvara ise dübellere monte edilir.

DESCRIPTION	EAN NO	MODEL	DIMENSION mm	GROSS kg	GROSS m <sup>3</sup>	FILTER	EXHAUST	LIGHTING	EURO
<b>HOOD</b> Wall Type • Blok Type With Flameguard Filters and lighting	8699234447372	HKF100L	1000x900x500	30	0,49	2x40	1K	LM1	714
	8699234447389	HKF125L	1250x900x500	34	0,61	2x50	1K	LM1	794
	8699234447396	HKF150L	1500x900x500	38	0,73	3x50	1K	LM2	878
	8699234447402	HKF200L	2000x900x500	48	0,97	3x50	1K	LM2	998
	8699234447419	HKF250L	2500x900x500	58	1,21	4x50	1K	LM3	1.174
	8699234447426	HKF300L	3000x900x500	68	1,44	5x50	2K	LM3	1.302
	8699234447433	HKF350L	3500x900x500	75	1,68	5x50	2K	LM4	1.516
	8699234447440	HKF400L	4000x900x500	85	1,92	6x50	2K	LM4	1.677
	8699234447457	HKF450L	4500x900x500	95	2,16	7x50	2K	LM4	1.850
	8699234447464	HKF500L	5000x900x500	105	2,40	8x50	2K	LM4	2.016
<b>DAVLUMBAZ</b> Duvar Tip • Blok tip Alevsavar Filtreli • Aydınlatmalı	8699234447471	HLF125L	1250x1100x500	39	0,74	2x50	1K	LM1	837
	8699234447488	HLF150L	1500x1100x500	44	0,89	3x40	1K	LM2	928
	8699234447495	HLF200L	2000x1100x500	54	1,18	3x50	1K	LM2	1.054
	8699234447501	HLF250L	2500x1100x500	64	1,47	4x50	1K	LM3	1.228
	8699234447518	HLF300L	3000x1100x500	75	1,76	5x50	2K	LM3	1.401
	8699234447525	HLF350L	3500x1100x500	84	2,05	5x50	2K	LM4	1.626
	8699234447532	HLF400L	4000x1100x500	95	2,34	6x50	2K	LM4	1.799
	8699234447549	HLF450L	4500x1100x500	106	2,63	7x50	2K	LM4	2.021
	8699234447556	HLF500L	5000x1100x500	116	2,92	8x50	2K	LM4	2.202
	8699234447563	HLF600L	6000x1100x500	140	3,51	9x50	2K	LM4	2.564
<b>DAVLUMBAZ</b> Duvar Tip • Blok tip Alevsavar Filtreli • Aydınlatmalı	8699234447570	HMF125L	1250x1400x500	44	0,94	2x50	1K	LM1	863
	8699234447587	HMF150L	1500x1400x500	49	1,12	3x50	1K	LM2	936
	8699234447594	HMF200L	2000x1400x500	60	1,49	3x50	1K	LM2	1.125
	8699234447600	HMF250L	2500x1400x500	72	1,86	4x50	1K	LM3	1.359
	8699234447617	HMF300L	3000x1400x500	83	2,23	5x50	2K	LM3	1.548
	8699234447624	HMF350L	3500x1400x500	93	2,60	5x50	2K	LM4	1.789
	8699234447631	HMF400L	4000x1400x500	105	2,97	6x50	2K	LM4	1.978
	8699234447648	HMF450L	4500x1400x500	117	3,34	7x50	2K	LM4	2.263
	8699234447655	HMF500L	5000x1400x500	129	3,71	8x50	2K	LM4	2.466
	8699234447662	HMF600L	6000x1400x500	153	4,45	9x50	2K	LM4	2.871



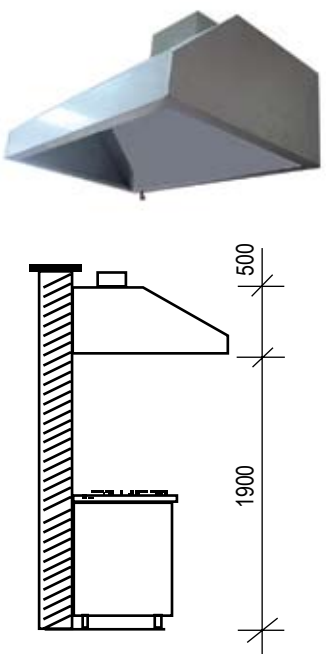

DESCRIPTION	MODEL	DIMENSION mm
<b>EXHAUST</b>	K	400x300
<b>BACA</b>	B	500x400

DESCRIPTION	POWER W	MODEL	DIMENSION mm
<b>LIGHTING</b> <b>AYDINLATMA</b>	1x18 W	LM1	1000-1500
	2x18 W	LM2	2000-2500
	3x18 W	LM3	3000-3500
	4x18 W	LM4	4000-5000



Made of AISI304 18/10 Cr-Ni type of stainless steel.  
Installed on the wall by using special screws or on the ceiling by steel chain.

AISI304 18/10 Cr-Ni kalite paslanmaz çelikten üretilmiştir.  
Davulmbazlar tavana özel çelik zincir ile, duvara ise dübellerle monte edilir.

DESCRIPTION	EAN NO	MODEL	DIMENSION mm	GROSS kg	GROSS m <sup>3</sup>	EXHAUST	EURO
<b>HOOD</b> Wall type • Blok Type Without Filters	8699234433085	<b>HK100</b>	1000x900x500	28	0,49	<b>1K</b>	<b>470</b>
	8699234433092	<b>HK125</b>	1250x900x500	32	0,61	<b>1K</b>	<b>500</b>
<b>DAVLUMBAZ</b> Duvar Tip • Blok tip • Filtresiz	8699234433108	<b>HK150</b>	1500x900x500	36	0,73	<b>1K</b>	<b>534</b>
	8699234433115	<b>HK200</b>	2000x900x500	44	0,97	<b>1K</b>	<b>646</b>
	8699234433122	<b>HK250</b>	2500x900x500	52	1,21	<b>1K</b>	<b>761</b>
	8699234433139	<b>HK300</b>	3000x900x500	60	1,44	<b>2K</b>	<b>876</b>
	8699234433146	<b>HK350</b>	3500x900x500	68	1,68	<b>2K</b>	<b>989</b>
	8699234433153	<b>HK400</b>	4000x900x500	76	1,92	<b>2K</b>	<b>1.104</b>
	8699234433160	<b>HK450</b>	4500x900x500	84	2,16	<b>2K</b>	<b>1.182</b>
	8699234433177	<b>HK500</b>	5000x900x500	100	2,40	<b>2K</b>	<b>1.292</b>
	8699234433238	<b>HL125</b>	1250x1100x500	34	0,74	<b>1K</b>	<b>541</b>
	8699234433245	<b>HL150</b>	1500x1100x500	42	0,89	<b>1K</b>	<b>603</b>
	8699234433252	<b>HL200</b>	2000x1100x500	50	1,18	<b>1K</b>	<b>729</b>
	8699234433269	<b>HL250</b>	2500x1100x500	58	1,47	<b>1K</b>	<b>853</b>
8699234433276	<b>HL300</b>	3000x1100x500	67	1,76	<b>2K</b>	<b>980</b>	
8699234433283	<b>HL350</b>	3500x1100x500	76	2,05	<b>2K</b>	<b>1.106</b>	
8699234433290	<b>HL400</b>	4000x1100x500	85	2,34	<b>2K</b>	<b>1.233</b>	
8699234433306	<b>HL450</b>	4500x1100x500	94	2,63	<b>2K</b>	<b>1.350</b>	
8699234433313	<b>HL500</b>	5000x1100x500	103	2,92	<b>2K</b>	<b>1.474</b>	
8699234433320	<b>HL600</b>	6000x1100x500	121	4,45	<b>2K</b>	<b>1.722</b>	
	8699234433382	<b>HM125</b>	1250x1400x500	42	0,94	<b>1K</b>	<b>635</b>
	8699234433399	<b>HM150</b>	1500x1400x500	48	1,12	<b>1K</b>	<b>706</b>
	8699234433405	<b>HM200</b>	2000x1400x500	58	1,49	<b>1K</b>	<b>851</b>
	8699234433412	<b>HM250</b>	2500x1400x500	68	1,86	<b>1K</b>	<b>994</b>
	8699234433429	<b>HM300</b>	3000x1400x500	78	2,23	<b>2K</b>	<b>1.136</b>
	8699234433436	<b>HM350</b>	3500x1400x500	88	2,60	<b>2K</b>	<b>1.279</b>
	8699234433443	<b>HM400</b>	4000x1400x500	98	2,97	<b>2K</b>	<b>1.424</b>
	8699234433450	<b>HM450</b>	4500x1400x500	108	3,34	<b>2K</b>	<b>1.555</b>
	8699234433467	<b>HM500</b>	5000x1400x500	118	3,71	<b>2K</b>	<b>1.697</b>
	8699234433474	<b>HM600</b>	6000x1400x500	138	4,45	<b>2K</b>	<b>1.979</b>

DESCRIPTION	MODEL	DIMENSION mm
<b>EXHAUST</b>	<b>K</b>	400x300
<b>BACA</b>	<b>B</b>	500x400

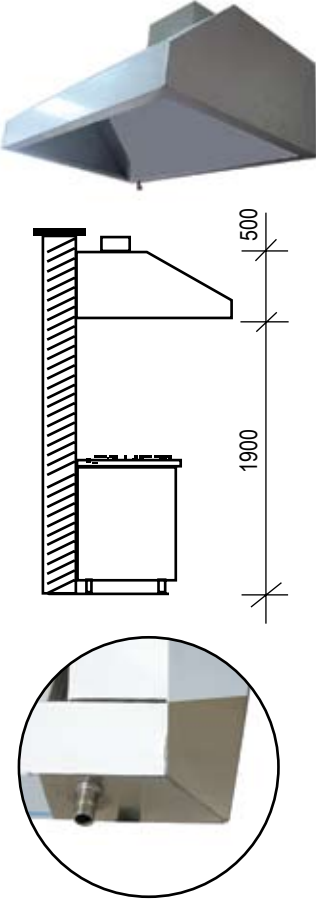
# HOOD DAVLUMBAZ



Made of AISI304 18/10 Cr-Ni type of stainless steel.  
Installed on the wall by using special screws or on the ceiling by steel chain.

AISI304 18/10 Cr-Ni kalite paslanmaz çelikten üretilmiştir.  
Davlumbazlar tavana özel çelik zincir ile, duvara ise dübellerle monte edilir.


DESCRIPTION	EAN NO	MODEL	DIMENSION mm	GROSS kg	GROSS m <sup>3</sup>	EXHAUST	LIGHTING	EURO
<b>HOOD</b> Wall type • Blok Type Without Filters with lighting	8699234448287	HK100L	1000x900x500	28	0,49	1K	LM1	562
	8699234448294	HK125L	1250x900x500	32	0,61	1K	LM1	592
	8699234448300	HK150L	1500x900x500	36	0,73	1K	LM2	672
	8699234448317	HK200L	2000x900x500	44	0,97	1K	LM2	784
	8699234448324	HK250L	2500x900x500	52	1,21	1K	LM3	945
	8699234448331	HK300L	3000x900x500	60	1,44	2K	LM3	1.060
	8699234448348	HK350L	3500x900x500	68	1,68	2K	LM4	1.265
	8699234448355	HK400L	4000x900x500	76	1,92	2K	LM4	1.380
	8699234448362	HK450L	4500x900x500	84	2,16	2K	LM4	1.458
	8699234448379	HK500L	5000x900x500	100	2,40	2K	LM4	1.568
<b>DAVLUMBAZ</b> Duvar Tip • Blok tip • Filtresiz Aydınlıtmalı	8699234448386	HL125L	1250x1100x500	34	0,74	1K	LM1	633
	8699234448393	HL150L	1500x1100x500	42	0,89	1K	LM2	741
	8699234448409	HL200L	2000x1100x500	50	1,18	1K	LM2	867
	8699234448416	HL250L	2500x1100x500	58	1,47	1K	LM3	1.037
	8699234448423	HL300L	3000x1100x500	67	1,76	2K	LM3	1.164
	8699234448430	HL350L	3500x1100x500	76	2,05	2K	LM4	1.382
	8699234448447	HL400L	4000x1100x500	85	2,34	2K	LM4	1.509
	8699234448454	HL450L	4500x1100x500	94	2,63	2K	LM4	1.626
	8699234448461	HL500L	5000x1100x500	103	2,92	2K	LM4	1.750
	8699234448478	HL600L	6000x1100x500	121	4,45	2K	LM4	1.998
	8699234448485	HM125L	1250x1400x500	42	0,94	1K	LM1	727
	8699234448492	HM150L	1500x1400x500	48	1,12	1K	LM2	844
	8699234448508	HM200L	2000x1400x500	58	1,49	1K	LM2	989
	8699234448515	HM250L	2500x1400x500	68	1,86	1K	LM3	1.178
	8699234448522	HM300L	3000x1400x500	78	2,23	2K	LM3	1.320
	8699234448539	HM350L	3500x1400x500	88	2,60	2K	LM4	1.555
	8699234448546	HM400L	4000x1400x500	98	2,97	2K	LM4	1.700
	8699234448553	HM450L	4500x1400x500	108	3,34	2K	LM4	1.831
	8699234448560	HM500L	5000x1400x500	118	3,71	2K	LM4	1.973
	8699234448577	HM600L	6000x1400x500	138	4,45	2K	LM4	2.255





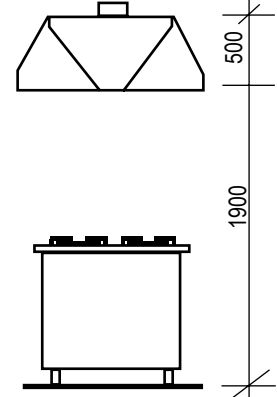


DESCRIPTION	MODEL	DIMENSION mm
<b>EXHAUST</b>	K	400x300
<b>BACA</b>	B	500x400

DESCRIPTION	POWER W	MODEL	DIMENSION mm
<b>LIGHTING</b> <b>AYDINLATMA</b>	1x18 W	LM1	1000-1500
	2x18 W	LM2	2000-2500
	3x18 W	LM3	3000-3500
	4x18 W	LM4	4000-5000



 Made of AISI304 18/10 Cr-Ni type of stainless steel.  
 Installed on the wall by using special screws or on the ceiling  
 by steel chain.  
 Attention! Hoods with dimensions equal to or bigger than  
 3500x.....x500 mm are produced in two pieces


 AISI304 18/10 Cr-Ni kalite paslanmaz çelikten üretilmiştir.  
 Davlumbazlar tavana özel çelik zincir ile, duvara ise dübellere  
 monte edilir.  
 Dikkat! 3500x.....x500 mm ve daha büyük Davlumbazlar  
 2 parça halinde üretilir.


DESCRIPTION	EAN NO	MODEL	DIMENSION mm	GROSS kg	GROSS m <sup>3</sup>	FILTER	EXHAUST	EURO
<b>HOOD</b> Central Type With Flameguard Filters  <b>DAVLUMBAZ</b> Orta tip Alevsavar Filtreli	8699234435232	HRF150	1500x1500x500	63	1,20	4x40	1B	1.141
	8699234435249	HRF200	2000x1500x500	78	1,60	6x50	1B	1.438
	8699234435256	HRF250	2500x1500x500	94	1,99	8x50	1B	1.737
	8699234435263	HRF300	3000x1500x500	109	2,39	10x50	2B	2.036
	8699234435270	HRF350	3500x1500x500	121	2,78	10x50	2B	2.300
	8699234435287	HRF400	4000x1500x500	137	3,18	12x50	2B	2.606
	8699234435294	HRF450	4500x1500x500	153	3,57	14x50	2B	2.818
	8699234435300	HRF500	5000x1500x500	169	3,97	16x50	2B	3.122
	8699234435317	HRF550	5500x1500x500	185	4,36	18x50	2B	3.426
	8699234435324	HRF600	6000x1500x500	201	4,76	20x50	2B	3.730
    	8699234435423	HUF200	2000x1800x500	86	1,91	6x50	1B	1.548
	8699234435430	HUF250	2500x1800x500	103	2,38	8x50	1B	1.858
	8699234435447	HUF300	3000x1800x500	120	2,86	10x50	2B	2.169
	8699234435454	HUF350	3500x1800x500	133	3,33	10x50	2B	2.385
	8699234435461	HUF400	4000x1800x500	150	3,80	12x50	2B	2.696
	8699234435478	HUF450	4500x1800x500	167	4,28	14x50	2B	3.034
	8699234435485	HUF500	5000x1800x500	184	4,75	16x50	2B	3.356
	8699234435492	HUF550	5500x1800x500	201	5,22	18x50	2B	3.678
	8699234435508	HUF600	6000x1800x500	218	5,70	20x50	2B	4.000
		8699234435607	HSF200	2000x2200x500	116	2,91	8x50	1B
8699234435614		HSF250	2500x2200x500	134	3,49	10x50	2B	2.065
8699234435621		HSF300	3000x2200x500	149	4,06	12x50	2B	2.401
8699234435638		HSF350	3500x2200x500	167	4,64	12x50	2B	2.643
8699234435645		HSF400	4000x2200x500	210	5,22	14x50	2B	2.905
8699234435652		HSF500	5000x2200x500	270	5,80	16x50	2B	3.406
8699234435669	HSF550	5500x2200x500	321	6,37	18x50	2B	3.727	
8699234435676	HSF600	6000x2200x500	370	6,95	20x50	2B	4.048	

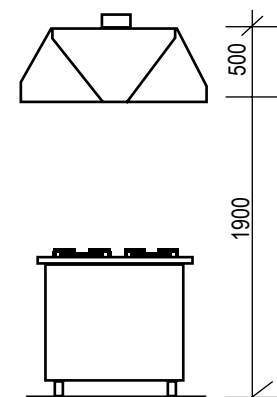
DESCRIPTION	MODEL	DIMENSION mm
<b>EXHAUST</b>	K	400x300
<b>BACA</b>	B	500x400

# HOOD DAVLUMBAZ



 **Made of AISI304 18/10 Cr-Ni type of stainless steel.**  
 Installed on the wall by using special screws or on the ceiling by steel chain.  
**Attention!** Hoods with dimensions equal to or bigger than 3500x.....x500 mm are produced in two pieces

 **AISI304 18/10 Cr-Ni kalite paslanmaz çelikten üretilmiştir.** Davlumbazlar tavana özel çelik zincir ile, duvara ise dübellerle monte edilir.  
**Dikkat!** 3500x.....x500 mm ve daha büyük Davlumbazlar 2 parça halinde üretilir.

DESCRIPTION	EAN NO	MODEL	DIMENSION mm	GROSS kg	GROSS m <sup>3</sup>	FILTER	EXHAUST	LIGHTING	EURO
<b>HOOD</b> Central Type • With Flameguard Filters and lighting	8699234447693	HRF150L	1500x1500x500	63	1,20	4x40	1B	LM2D	1.417
	8699234447709	HRF200L	2000x1500x500	78	1,60	6x50	1B	LM2D	1.714
	8699234447716	HRF250L	2500x1500x500	94	1,99	8x50	1B	LM3D	2.105
	8699234447723	HRF300L	3000x1500x500	109	2,39	10x50	2B	LM3D	2.404
	8699234447730	HRF350L	3500x1500x500	121	2,78	10x50	2B	LM4D	2.852
	8699234447747	HRF400L	4000x1500x500	137	3,18	12x50	2B	LM4D	3.158
	8699234447754	HRF450L	4500x1500x500	153	3,57	14x50	2B	LM4D	3.370
	8699234447761	HRF500L	5000x1500x500	169	3,97	16x50	2B	LM4D	3.674
	8699234447778	HRF550L	5500x1500x500	185	4,36	18x50	2B	LM4D	3.978
	8699234447785	HRF600L	6000x1500x500	201	4,76	20x50	2B	LM4D	4.282
<b>DAVLUMBAZ</b> Orta tip • Alevsavar Filtreli ve Aydınlatmalı	8699234447792	HUF200L	2000x1800x500	86	1,91	6x50	1B	LM2D	1.824
	8699234447808	HUF250L	2500x1800x500	103	2,38	8x50	1B	LM3D	2.226
	8699234447815	HUF300L	3000x1800x500	120	2,86	10x50	2B	LM3D	2.537
	8699234447822	HUF350L	3500x1800x500	133	3,33	10x50	2B	LM4D	2.937
	8699234447839	HUF400L	4000x1800x500	150	3,80	12x50	2B	LM4D	3.248
	8699234447846	HUF450L	4500x1800x500	167	4,28	14x50	2B	LM4D	3.586
	8699234447853	HUF500L	5000x1800x500	184	4,75	16x50	2B	LM4D	3.908
	8699234447860	HUF550L	5500x1800x500	201	5,22	18x50	2B	LM4D	4.230
	8699234447877	HUF600L	6000x1800x500	218	5,70	20x50	2B	LM4D	4.552
		8699234447891	HSF250L	2000x2200x500	116	2,91	8x50	1B	LM3D
8699234447907		HSF300L	2500x2200x500	134	3,49	10x50	2B	LM3D	2.433
8699234447914		HSF350L	3000x2200x500	149	4,06	12x50	2B	LM4D	2.953
8699234447921		HSF400L	3500x2200x500	167	4,64	12x50	2B	LM4D	3.195
8699234447938		HSF450L	4000x2200x500	219	5,22	14x50	2B	LM4D	3.457
8699234447945		HSF500L	5000x2200x500	270	5,80	16x50	2B	LM4D	3.958
8699234447952		HSF550L	5500x2200x500	321	6,37	18x50	2B	LM4D	4.279
8699234447969		HSF600L	6000x2200x500	370	6,95	20x50	2B	LM4D	4.600


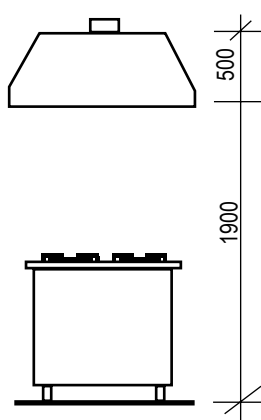

DESCRIPTION	MODEL	DIMENSION mm
<b>EXHAUST</b>	K	400x300
<b>BACA</b>	B	500x400

DESCRIPTION	POWER W	MODEL	DIMENSION mm
<b>LIGHTING</b>	2x18 W	LM2D	1500-2500
<b>AYDINLATMA</b>	3x18 W	LM3D	3000-3500
	4x18 W	LM4D	4000-5000



🇹🇷 Made of AISI304 18/10 Cr-Ni type of stainless steel.  
Installed on the wall by using special screws or on the ceiling by steel chain.

🇹🇷 AISI304 18/10 Cr-Ni kalite paslanmaz çelikten üretilmiştir.  
Davlumbazlar tavana özel çelik zincir ile, duvara ise dübellere monte edilir.

DESCRIPTION	EAN NO	MODEL	DIMENSION mm	GROSS kg	GROSS m <sup>3</sup>	EXHAUST	EURO
<b>HOOD</b> Central Type • Without Filters	8699234433573	<b>HR150</b>	1500x1500x500	50	1,20	<b>1B</b>	<b>725</b>
	8699234433580	<b>HR200</b>	2000x1500x500	60	1,60	<b>1B</b>	<b>867</b>
	8699234433597	<b>HR250</b>	2500x1500x500	70	1,99	<b>1B</b>	<b>1.010</b>
	8699234433603	<b>HR300</b>	3000x1500x500	80	2,39	<b>2B</b>	<b>1.155</b>
	8699234433610	<b>HR350</b>	3500x1500x500	90	2,78	<b>2B</b>	<b>1.297</b>
	8699234433627	<b>HR400</b>	4000x1500x500	100	3,18	<b>2B</b>	<b>1.440</b>
	8699234433634	<b>HR450</b>	4500x1500x500	110	3,57	<b>2B</b>	<b>1.573</b>
	8699234433641	<b>HR500</b>	5000x1500x500	120	3,97	<b>2B</b>	<b>1.714</b>
	8699234433665	<b>HR600</b>	6000x1500x500	140	4,76	<b>2B</b>	<b>1.996</b>
	<b>DAVLUMBAZ</b> Orta tip • Filtresiz	8699234433726	<b>HU200</b>	2000x1800x500	69	1,91	<b>1B</b>
8699234433733		<b>HU250</b>	2500x1800x500	72	2,38	<b>1B</b>	<b>1.047</b>
8699234433740		<b>HU300</b>	3000x1800x500	91	2,86	<b>2B</b>	<b>1.311</b>
8699234433757		<b>HU350</b>	3500x1800x500	102	3,33	<b>2B</b>	<b>1.472</b>
8699234433764		<b>HU400</b>	4000x1800x500	114	3,80	<b>2B</b>	<b>1.631</b>
8699234433771		<b>HU450</b>	4500x1800x500	126	4,28	<b>2B</b>	<b>1.778</b>
8699234433788		<b>HU500</b>	5000x1800x500	138	4,75	<b>2B</b>	<b>1.937</b>
8699234433795		<b>HU550</b>	5500x1800x500	150	5,22	<b>2B</b>	<b>2.097</b>
8699234433801		<b>HU600</b>	6000x1800x500	162	5,70	<b>2B</b>	<b>2.253</b>
8699234433818		<b>HU700</b>	7000x1800x500	186	6,64	<b>2B</b>	<b>2.570</b>
  	8699234433870	<b>HS250</b>	2500x2200x500	92	2,91	<b>1B</b>	<b>1.336</b>
	8699234433887	<b>HS300</b>	3000x2200x500	105	3,49	<b>2B</b>	<b>1.518</b>
	8699234433894	<b>HS350</b>	3500x2200x500	109	4,06	<b>2B</b>	<b>1.576</b>
	8699234433900	<b>HS400</b>	4000x2200x500	131	4,64	<b>2B</b>	<b>1.886</b>
	8699234433917	<b>HS450</b>	4500x2200x500	153	5,22	<b>2B</b>	<b>2.053</b>
	8699234433924	<b>HS500</b>	5000x2200x500	175	5,80	<b>2B</b>	<b>2.234</b>
	8699234433931	<b>HS550</b>	5500x2200x500	197	6,37	<b>2B</b>	<b>2.415</b>
	8699234433948	<b>HS600</b>	6000x2200x500	219	6,95	<b>2B</b>	<b>2.596</b>


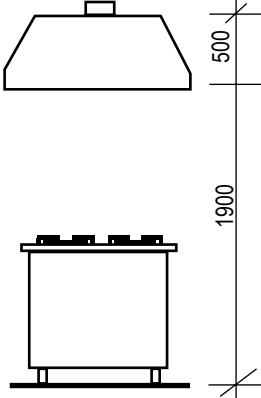

DESCRIPTION	MODEL	DIMENSION mm
<b>EXHAUST</b>	<b>K</b>	400x300
<b>BACA</b>	<b>B</b>	500x400

# HOOD DAVLUMBAZ



Made of AISI304 18/10 Cr-Ni type of stainless steel.  
Installed on the wall by using special screws or on the ceiling by steel chain.

AISI304 18/10 Cr-Ni kalite paslanmaz çelikten üretilmiştir.  
Davulumbazlar tavana özel çelik zincir ile, duvara ise dübellerle monte edilir.

DESCRIPTION	EAN NO	MODEL	DIMENSION mm	GROSS kg	GROSS m <sup>3</sup>	EXHAUST	LIGHTING	EURO
<b>HOOD</b> Central Type • Without Filters with lighting	8699234448591	HR150L	1500x1500x500	50	1,20	1B	LM1D	909
	8699234448607	HR200L	2000x1500x500	60	1,60	1B	LM2D	1.143
	8699234448614	HR250L	2500x1500x500	70	1,99	1B	LM3D	1.378
	8699234448621	HR300L	3000x1500x500	80	2,39	2B	LM3D	1.523
	8699234448638	HR350L	3500x1500x500	90	2,78	2B	LM4D	1.849
	8699234448645	HR400L	4000x1500x500	100	3,18	2B	LM4D	1.992
	8699234448652	HR450L	4500x1500x500	110	3,57	2B	LM4D	2.125
	8699234448669	HR500L	5000x1500x500	120	3,97	2B	LM4D	2.266
	8699234448683	HR600L	6000x1500x500	140	4,76	2B	LM4D	2.548
	<b>DAVLUMBAZ</b> Orta tip • Filtresiz Aydınlatmalı	8699234448690	HU200L	2000x1800x500	69	1,91	1B	LM2D
8699234448706		HU250L	2500x1800x500	72	2,38	1B	LM3D	1.415
8699234448713		HU300L	3000x1800x500	91	2,86	2B	LM3D	1.679
8699234448720		HU350L	3500x1800x500	102	3,33	2B	LM4D	2.024
8699234448737		HU400L	4000x1800x500	114	3,80	2B	LM4D	2.183
8699234448744		HU450L	4500x1800x500	126	4,28	2B	LM4D	2.330
8699234448751		HU500L	5000x1800x500	138	4,75	2B	LM4D	2.489
8699234448768		HU550L	5500x1800x500	180	5,22	2B	LM4D	2.649
8699234448775		HU600L	6000x1800x500	162	5,70	2B	LM4D	2.805
8699234448782		HU700L	7000x1800x500	186	6,64	2B	LM4D	3.122
  	8699234448805	HS250L	2500x2200x500	92	2,91	1B	LM3D	1.704
	8699234448812	HS300L	3000x2200x500	105	3,49	2B	LM3D	1.886
	8699234448829	HS350L	3500x2200x500	109	4,06	2B	LM4D	2.128
	8699234448836	HS400L	4000x2200x500	131	4,64	2B	LM4D	2.438
	8699234448843	HS450L	4500x2200x500	153	5,22	2B	LM4D	2.605
	8699234448850	HS500L	5000x2200x500	175	5,80	2B	LM4D	2.786
	8699234448867	HS550L	5500x2200x500	197	6,37	2B	LM4D	2.967
	8699234448874	HS600L	6000x2200x500	219	6,95	2B	LM4D	3.148

DESCRIPTION	MODEL	DIMENSION mm
<b>EXHAUST</b>	K	400x300
<b>BACA</b>	B	500x400

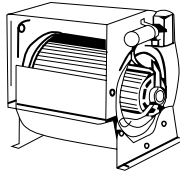
DESCRIPTION	POWER W	MODEL	DIMENSION mm
<b>LIGHTING</b>	2x18 W	LM2D	1500-2500
<b>AYDINLATMA</b>	3x18 W	LM3D	3000-3500
	4x18 W	LM4D	4000-5000



Installed on the wall by using special screws or on the ceiling by steel chain.

Davlumbazlar tavana özel çelik zincir ile, duvara ise dübellere monte edilir.

DESCRIPTION	EAN NO	MODEL	DIMENSION mm	GROSS kg	GROSS m <sup>3</sup>	EURO
<b>FILTER</b> Flameguard <b>FİLTRE</b> Alevsavar						
 <b>FLT4</b>	8699234435805	<b>FLT1</b>	470x470x20	2,20	0,02	<b>44</b>
	8699234435812	<b>FLT2</b>	500x500x20	2,50	0,05	<b>46</b>
	8699234435843	<b>FLT3</b>	400x500x20	2,20	0,04	<b>44</b>
 <b>FLT3</b>	8699234435850	<b>FLT4</b>	250x500x20	1,60	0,05	<b>39</b>
 <b>FLT2</b>						

DESCRIPTION	EAN NO	MODEL	DIMENSION mm	GROSS kg	GROSS m <sup>3</sup>	EURO
<b>RADIAL VENTILATOR</b> Galvanize - adjustable speed <b>RADYAL FAN</b> Galvaniz - Ayarlanabilir hız	8699234435829	<b>RDL01</b>	1500m <sup>3</sup> /h, 230v			<b>690</b>
						
<b>SPEED CONTROL SWITCH</b> <b>HIZ KONTROL ANAHTARI</b>	8699234435836	<b>SPC01</b>	230 v			<b>95</b>
